



SUSPENSION INFORMATION

of

G-Series

The Coda Audio G-Series is a versatile range of multipurpose loudspeaker systems designed for high-end installations and mobile applications.

Featuring dedicated passive crossovers, the series ensures exceptional linear frequency and phase response, allowing for seamless integration without the absolute necessity of external processing.

For optimized performance, pairing these units with LINUS DSP+Amplification provides enhanced protection and frequency optimization for full-range, stage monitor, or subwoofer-supported configurations.

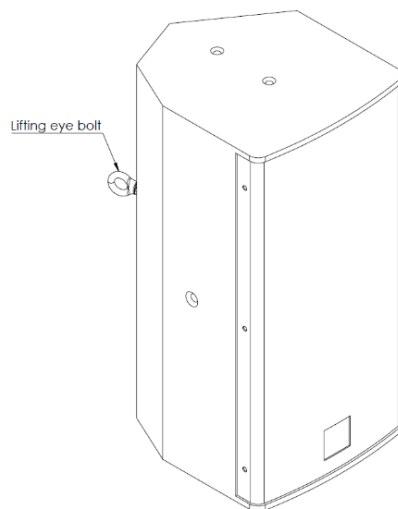
Optimised for installation and touring the G-Series features M6 flying points for optional U-brackets to mount them to walls or ceilings as well as special hardware kits for almost every kind of installation or touring.

The document provides information regarding the options of additional securing when mounting acoustic boxes from Coda G-Series.

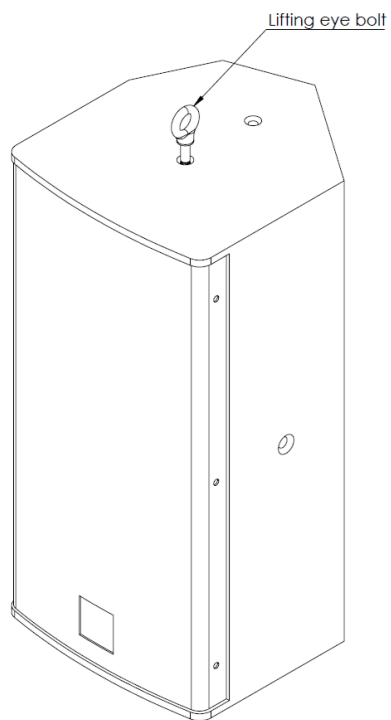


G 308-Pro

There are several fixing points for mounting different accessories – vertical u-bracket A8VG-Pro, horizontal u-bracket A8HG, Flying adapter GFA and wall mount accessory 24471. Depending on the installed accessories, any of the free points can be used for additional securing. For example:



The lifting eye bolt M6x40 is clamped to one of the two free holes with M6 threads located on the rear side of the box.

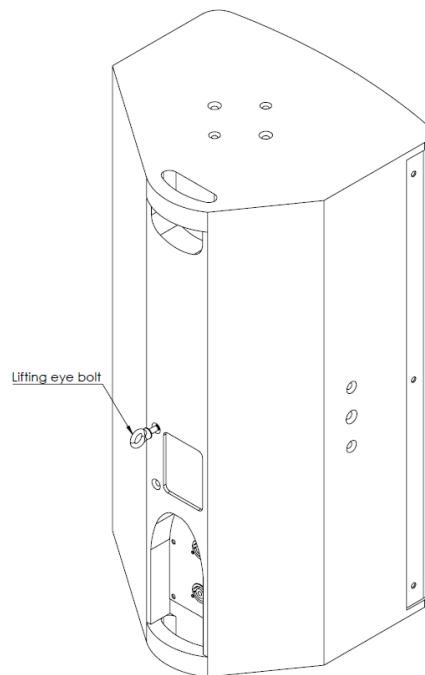


The lifting eye bolt M6x40 is clamped to the hole with M6 thread on the upper side of the box.

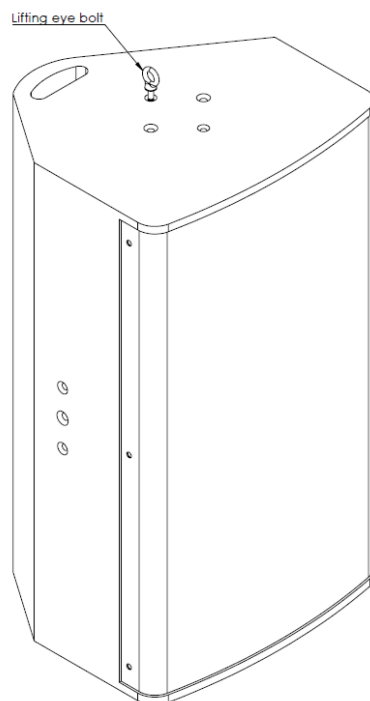


G 512-Pro

There are several fixing points for mounting different accessories – vertical u-bracket A12VG-Pro, horizontal u-bracket A12HG, Flying adapter GFA, Array kit AK2G and wall mount accessory 24481. Depending on the installed accessories, any of the free points can be used for additional securing. For example:



The lifting eye bolt M6x40 is clamped to one of the free holes with M6 threads located on the rear side of the box.

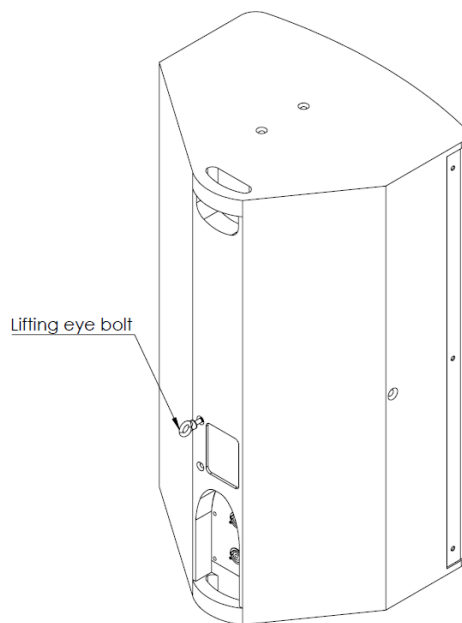


The lifting eye bolt M6x40 is clamped to the hole with M6 thread on the upper side of the box.

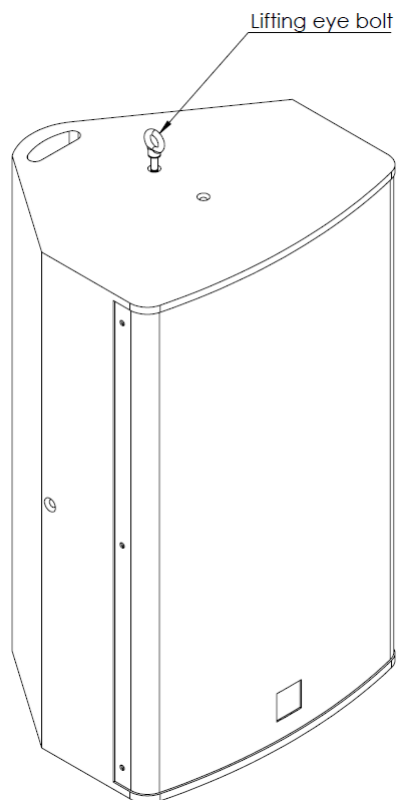


G 515-Pro

There are several fixing points for mounting different accessories – vertical u-bracket A15VG-Pro, horizontal u-bracket A15HG, Flying adapter GFA, Array kit AK2G and wall mount accessory 24481. Depending on the installed accessories, any of the free points can be used for additional securing. For example:



The lifting eye bolt M6x40 is clamped to one of the free holes with M6 threads located on the rear side of the box.

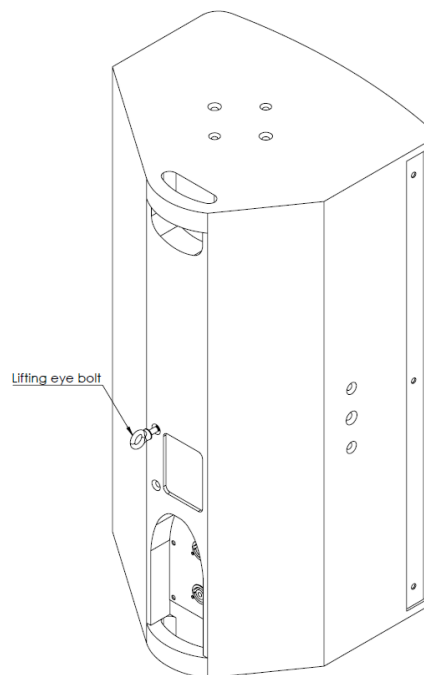


The lifting eye bolt M6x40 is clamped to one of the two free holes with M6 thread located on the upper side of the box.

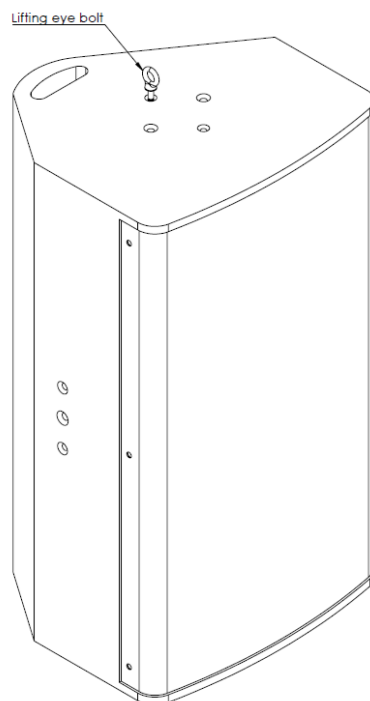


G 712-Pro

There are several fixing points for mounting different accessories – vertical u-bracket A12VG-Pro, horizontal u-bracket A12HG, Flying adapter GFA, Array kit AK2G and wall mount accessory 24481. Depending on the installed accessories, any of the free points can be used for additional securing. For example:



The lifting eye bolt M6x40 is clamped to one of the free holes with M6 threads located on the rear side of the box.

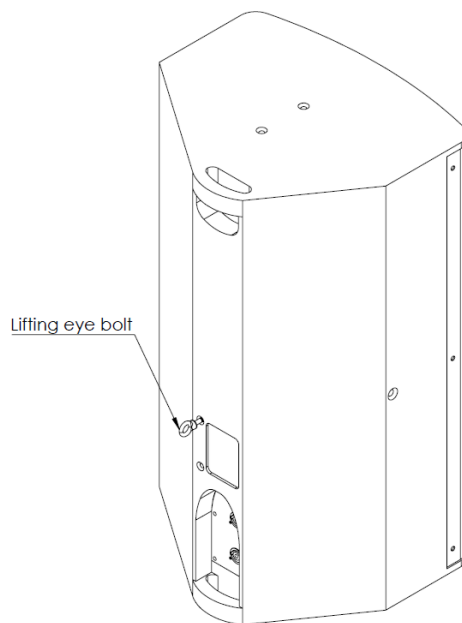


The lifting eye bolt M6x40 is clamped to the hole with M6 thread on the upper side of the box.

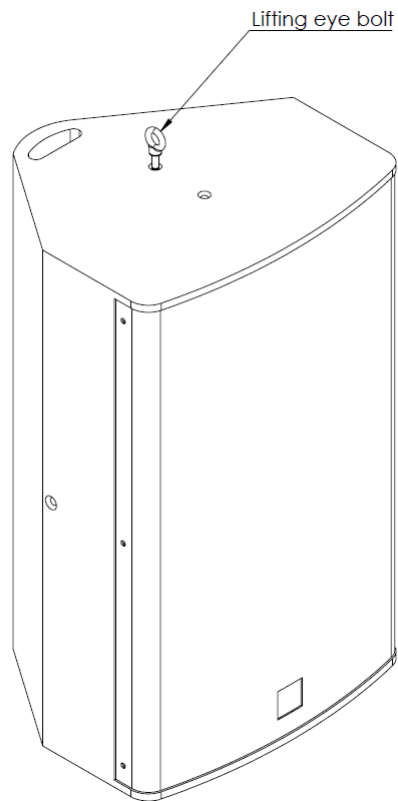


G 715-Pro

There are several fixing points for mounting different accessories – vertical u-bracket A15VG-Pro, horizontal u-bracket A15HG, Flying adapter GFA, Array kit AK2G and wall mount accessory 24481. Depending on the installed accessories, any of the free points can be used for additional securing. For example:



The lifting eye bolt M6x40 is clamped to one of the free holes with M6 threads located on the rear side of the box.



The lifting eye bolt M6x40 is clamped to one of the two free holes with M6 threads located on the upper side of the box.

NOTE!

The given information is exemplary, all legal security requirements must be strictly observed!

The safety securing must comply with the requirements of the country-specific regulations, such as drop height, steel cable diameter, safety factors, etc.